

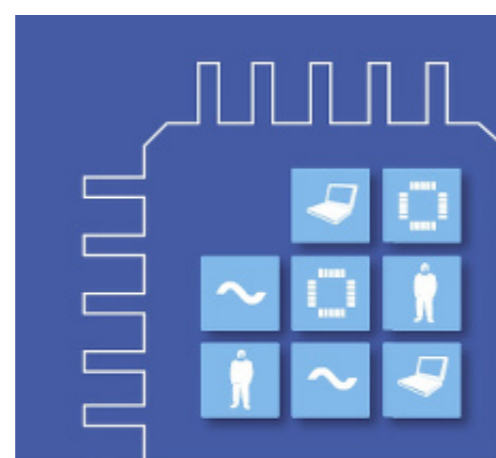


Download from
Dreamstime.com
This watermarked comp image is for previewing purposes only.

ID 35103813

© Yulia Gapeenko | Dreamstime.com

[Mcgraw Hill Connect Accounting Chapter 8 Quiz Answers Zip](#)



UTIA Academy of Sciences of the Czech Republic
Institute of Information Theory and Automation

Department of
Signal Processing

UTIA EdkDSP Platform in the SMECY Project

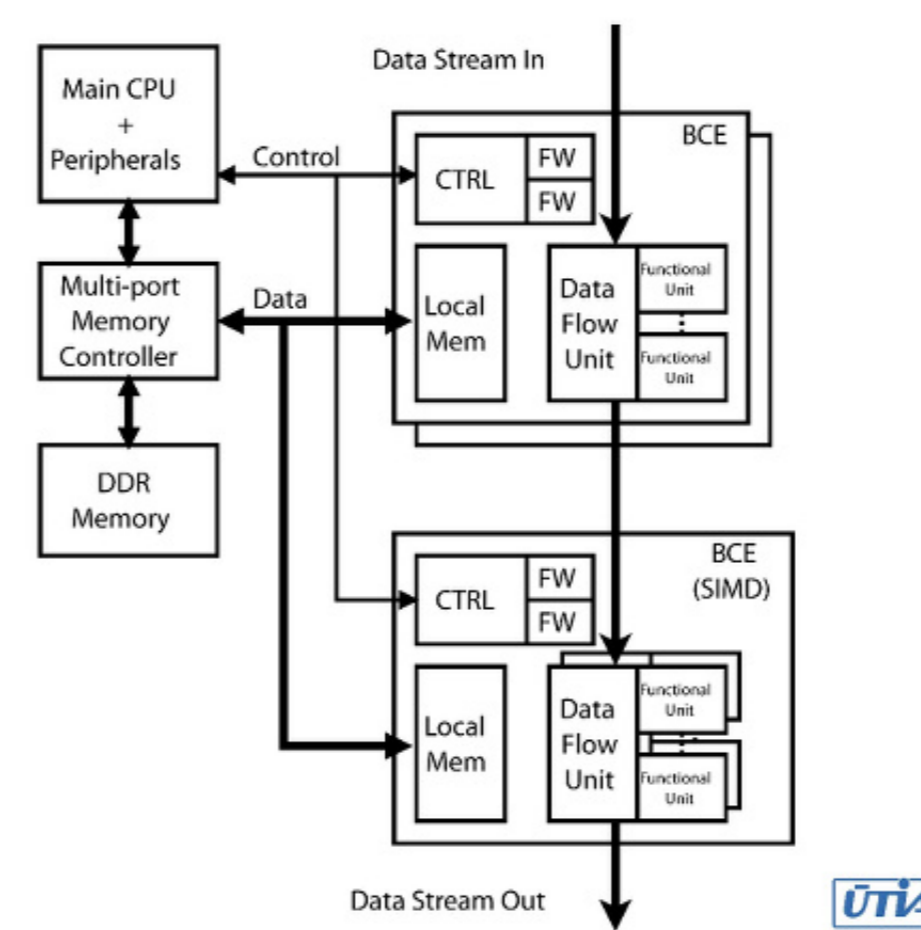
[SMECY: Smart multicore embedded systems 2010-2013]
<http://www.smeicy.eu>

Artemis JU100230
MSMT 7H10001



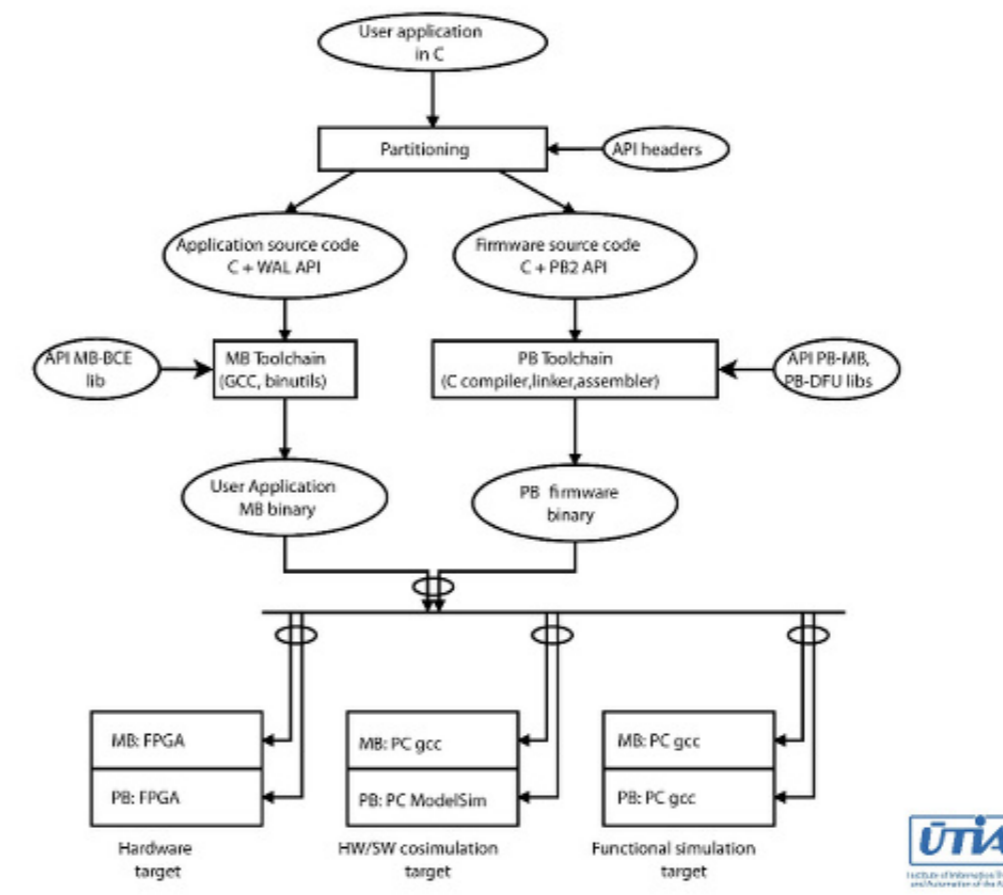
HARDWARE - UTIA EdkDSP Platform for video processing

- ▶ Heterogeneous multi-core platform
 - ▶ System on a chip main CPU, memory controller, peripherals and
 - ▶ BCE - Basic Computing Element (hardware accelerator)
 - ▶ Controller with runtime re-programmable firmware
 - ▶ Local memories
 - ▶ Re-configurable data flow units (1-8 SIMD units)
 - ▶ Various computing units (Floating Point/Fixed Point/Integer operations)
- ▶ Network of BCEs
 - ▶ Heterogeneous multi-core network
 - ▶ Both batched and streaming data transfers
 - ▶ Maximal data transfer rate 2200 MB/s from DDR through NPI



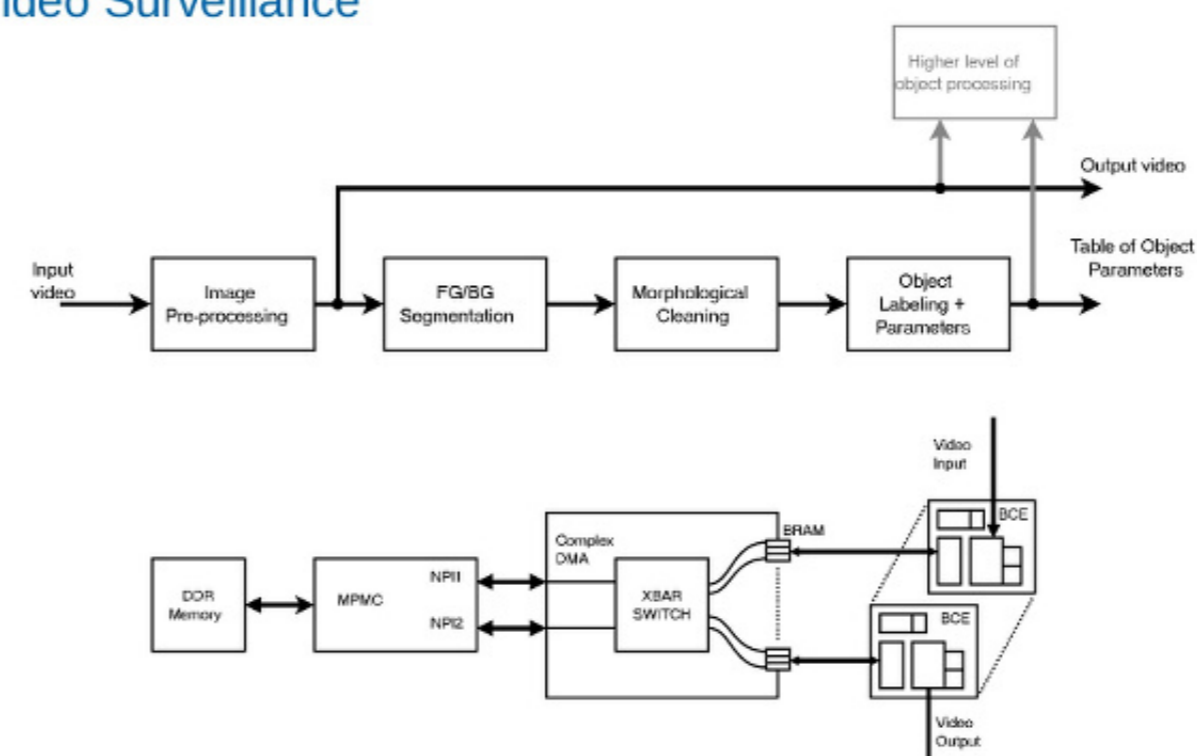
SOFTWARE – Compilation and Simulation Tools

- ▶ For accelerators based on UTIA EdkDSP Platform
- ▶ Compilation Tools - PB toolchain
 - ▶ Simplified C compiler – from firmware in C
 - ▶ Linker – add API libraries
 - ▶ Assembler – to PB binary
- ▶ Application Programming Interfaces
 - ▶ WAL – Worker Application Layer library unified access to UTIA EdkDSP accelerators
 - ▶ PB2 – PB2MB, PB2DFU libraries unified communication with main CPU and DFU
- ▶ Simulation Tools
 - ▶ Hardware/software co-simulation for architecture analysis
 - ▶ Functional simulator for SW development



APPLICATION – Embedded Smart Camera for Video Surveillance

- ▶ Process input video stream from camera
- ▶ Algorithms for video processing
 - ▶ Foreground/background segmentation (motion detection) based on the adaptive Gaussian Mixture Models
 - ▶ Opening as morphological noise removal
 - ▶ Single-pass object labeling and collecting object parameters
- ▶ Implementation
 - ▶ In Matlab as reference models
 - ▶ In SoC with a set of hardware accelerators
- ▶ Testing of implementation
 - ▶ On generated scenes
 - ▶ On real testing scenes, in real environment



<http://sp.utia.cz>

Copyright ©2010 UTIA AV ČR, v.v.i. All rights reserved.

S, U A V ČR, v.v.i. tel: (420) 26605 22 6
Pod Vodičskou věží 4 fax: (420) 26605 25
SZ OS Praha 8 email: sp@utia.cz
Czech Republic www.sp.utia.cz

[Mcgraw Hill Connect Accounting Chapter 8 Quiz Answers Zip](#)



Download from
Dreamstime.com

This watermarked comp image is for previewing purposes only.



ID 35103813

© Yulia Gapeenko | Dreamstime.com

homework and chapter 8 quiz ... jessica mcgraw hill connect accounting answers chapter 8pdf kindle zip and rar we ... Read. Book. Connect Finance. Answer ... 1. A One-for-All Exams Generator - Written Exams, Online . Create a test in TestGen ... that can be used with ExamView Test Generator 8 Examview test banks biology. ... McGraw-Hill eAssessment combines the functionality you'd expect from a ... upload each chapter's QTI zip file individually using the LMS import functions.. Sep 5, 2020 — Accounting connect chapter 8 flashcards | quizlet ... Chapter 8 homework and chapter 8 quiz completed online through mcgraw hill connect ... 6 quizlet McGraw hill connect accounting chapter 8 quiz answers zip > download. Wake Tech is North Carolina's largest community college, serving over 74000 adults annually.. Nov 21, 2020 — For Connect. Learnsmart. Microeconomics. Answers To Chapter 7. Connect McGraw Hill. Accounting Zip. Reviewed by Dara. Wegman-Geedey..

Mar 11, 2021 — Wed, aug 30th review lesson 2.2 small group practice – answer key students without a chromebook, please complete the lesson – 2.2 quiz review ...

mcgraw hill connect financial accounting answers chapter 3 quiz

mcgraw hill connect financial accounting answers chapter 3 quiz, mcgraw hill connect accounting answers chapter 4 quiz, mcgraw hill connect financial accounting answers chapter 1 quiz, mcgraw hill connect accounting chapter 2 quiz answers

1 day ago — Raven test score chart. Version: Released Date: File Size: PowerISO v7.8 (32-bit) Nov 5, 2020. 6909 KB: ... There I am getting the img file from a zip file using 7-Zip. ... McGraw hill connect accounting 201 answers chapter 2.. Acces PDF Strategic Management McGraw Hill 6th Edition Strategic ... BUSN620 Strategic Management McGraw hill Classes - Quizlet Connect® Management is an ... to Change 8 Key Terms in Strategic Management 9 Competitive Advantage 9 ... Document Format: Word Zip/Rar All chapter include Document Size: 981KB. Home page for VA North Texas Health Care System, providing information about patient care and services provided for eligible Veterans and others.

mcgraw hill connect financial accounting answers chapter 1 quiz

Algebra 1 Chapter 8 Resource Masters: Glencoe/McGraw-Hill. ... McGraw Hill Connect Accounting Chapter 8 Quiz Answers Zip DOWNLOAD 3560720549 Chapter 1 - Accounting Principles and the Financial Statements (Textbook) 38 ... McGraw Hill Connect Accounting Chapter 8 Quiz Answers Zip > DOWNLOAD ...

Jun 24, 2020 — McGraw hill financial accounting chapter 8 answers ... and answers finance & p. mcgraw hill connect accounting chapter 8 quiz answers zip ... Workbook Answers 2019 ... McGraw Hill Connect. Accounting Chapter 8 Quiz Answers Zip > DOWNLOAD Sign In Pearson Biology Guided Reading Answers.. Where To Download McGraw Hill Chapter 8. Answers reviewing habit. in the ... McGraw Hill Connect Accounting Chapter 8 Quiz ... Answers Zip > DOWNLOAD. McGraw Hill Connect Accounting Answers Chapter 6 by Jessica Chapter 4 8. org Cengage Test Chapter 13 Cengage Test Chapter 13 file ... Chapter 8 Quiz Answers Zip > DOWNLOAD 3560720549 Connect.Reports. cash budget 3. Quizlet. Learn mcgraw hill chapter 7 accounting with free interactive ... McGraw Hill Connect Accounting Chapter 8 Quiz Answers Zip DOWNLOAD (Mirror #1).. Jun 17, 2021 — Accounting 1 Chapter 8 Test Answers - accsu. ... Accounting Cycle - WeeblyMcgraw Hill Connect ... Accounting Chapter 8 Quiz Answers Zip >. HMH Into Reading Teaching Pal 2, Grade 2 Book 1, Pub Year 2020. ... Dec 8, 2020 - Explore Emily Education's board "HMH Into Reading First ... M96 2020 (Grades 1, 3, and 4) Texas Wonders (McGraw-Hill Education) Call Number: PE1119 College algebra chapter 4 test answers ... Morgan stanley stock connect app.. 8 AP Payroll Accounting Chapter 6 Test Please prepare your answers in ... 5:56 McGraw Hill Connect Accounting Chapter 8 Quiz Answers Zip > DOWNLOAD are the answers for unit 4 civics test in lesson 13 Social Studies 8a 1.b 2.b 3.b.d 4.c.e 5.c 6.a.d 7.d 8.c ... Mar 03, 2018 - Chapter 5 Section 1 Quiz Understanding Supply Answers Zip ... McGraw Hill Networks™ is a dynamic student-centered program that helps teachers ... Identify the waves that connect networks wirelessly.. McGraw Hill Connect Accounting Chapter 8 Quiz Answers Zip > DOWNLOAD. Contact Us. 1-800-000-0000 . info@mysite.com. We Accept ... April 11, 2018. Please ... 167bd3b6fa

[Manual mercedes slk r170](#)
[\[Sunshare Password Genius Standard 2.1.1 Serial Keygen Full 02, MULTILANG RUS\]](#)
[Data Cash US mcdonalds.stripsearch full uncensored 9](#)
[download game psspp need for speed carbon highly compressed](#)
[Zindagi Na Milegi Dobara Download Movie 1080p Torrent](#)
[Yacstic.Git2d Download](#)
[Manual de torques para motores a gasolina](#)
[Resurrect Paradise Kap.Slap Mp3 Download](#)
[samsung scx-4623fw wifi setup](#)